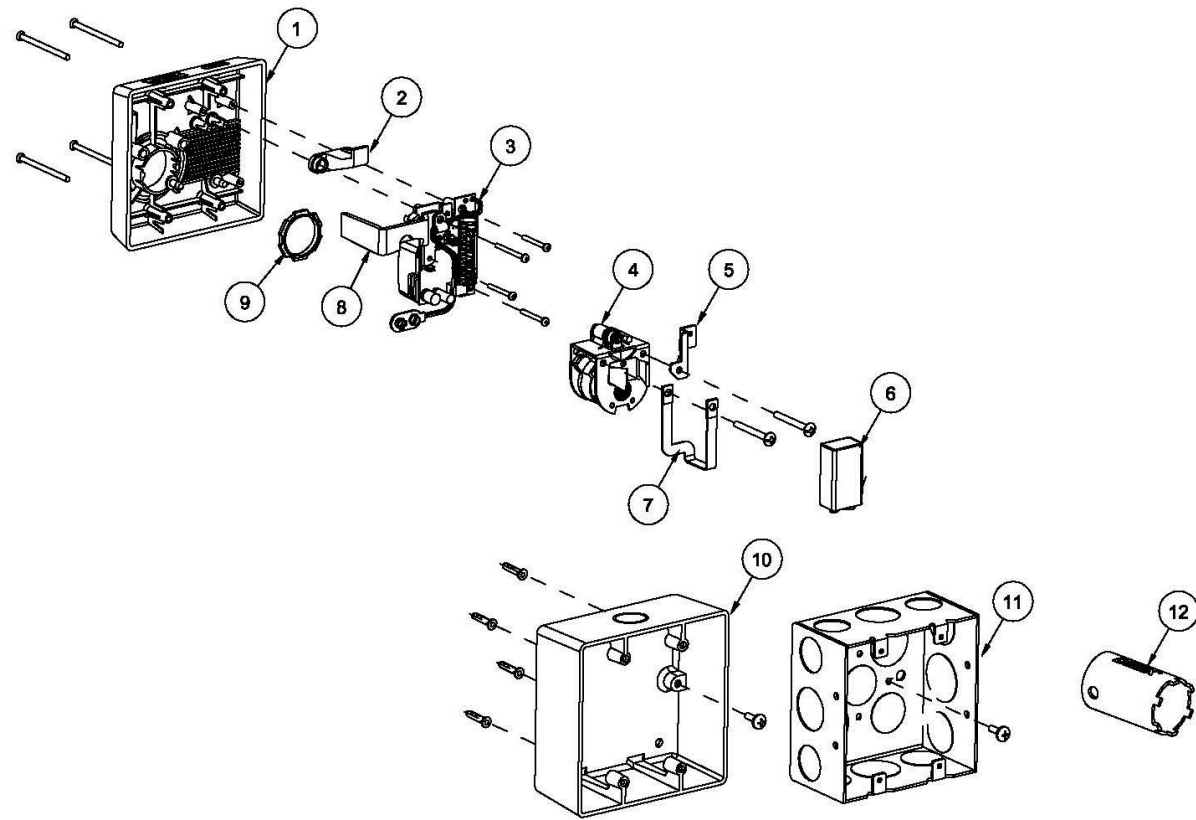




EAX-2500 Parts List



Item	Order Part#	Description	Price
1	105430-1	Cover, gray	\$33.00
	105430-2	Cover, black	\$33.00
2	102619	Plunger, security	\$0.69
3	102661	Circuit board kit	\$271.00
4	102660	Cam assembly kit	\$40.00
5	102701	Tamper bracket	\$8.40
6	PP-5567	9 Volt battery	\$11.00
7	104448	Ground Strap	\$28.00
8	102631	Guard, IKC switch	\$0.88
9	100783	Cylinder nut	\$8.00
10	102649-1	Backbox, gray	\$36.00
	102649-2	Backbox, black	\$55.00
11	102629	Box, outlet, double gang	\$26.00
12	103779	Cylinder nut socket (optional)	\$55.00

NOTE: Your particular part or configuration may not be shown: Contact Detex technical support at 800-729-3839 (option 2)

March 8, 2023

