



Detex Corporation, 302 Detex Drive, New Braunfels, Texas 78130-3045
 830-629-2900 / 800-729-3839 / Fax 800-653-3839 / Text: 830-481-6433 / INTERNET: www.detex.com

INSTALLATION INSTRUCTIONS FOR 03ZM ANTI-VANDAL 30 SERIES MORTISE TRIM

DWG# 105645

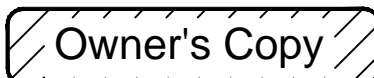
Table of Contents	Page
Device parts breakdown view & part number list, Prep Door-Trim Side.....	2
Prep Door-Device Side, Install Mortise Lock & Trim, Install Mortise cylinder.....	3

Should you have a Question/Problem with your Detex device please call Detex Technical Support from job site at 1-800-729-3839 and choose option 2 on our menu. Please do not return the product to the distributor.

**For WARRANTY information,
 scan code below or
 go to www.detex.com/warranty**

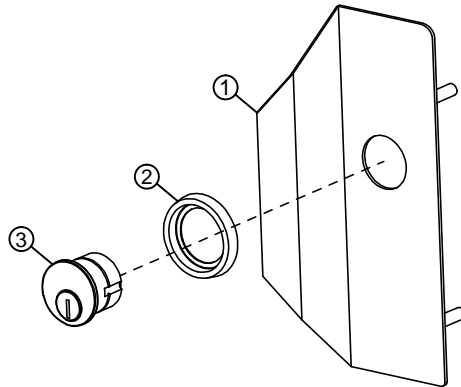


**For device installation videos,
 scan code below or
 go to www.detex.com/videos**



PARTS BREAKDOWN			
Item	P/N	QTY	Description
1	105644-LHR-630	1	TRIM, 03ZM, ANTI-VANDAL, LHR (shown)
	105644-RHR-630		TRIM, 03ZM, ANTI-VANDAL, RHR (opposite)
2	103303	1	COLLAR, MORTISE CYLINDER (sold separately)
3	102281-7-X	1	CYLINDER, MORTISE, 5 PIN, CHROME (sold separately)

FOR ITEM 3
"-X" REFERS TO
KEY CODE
AA-KK

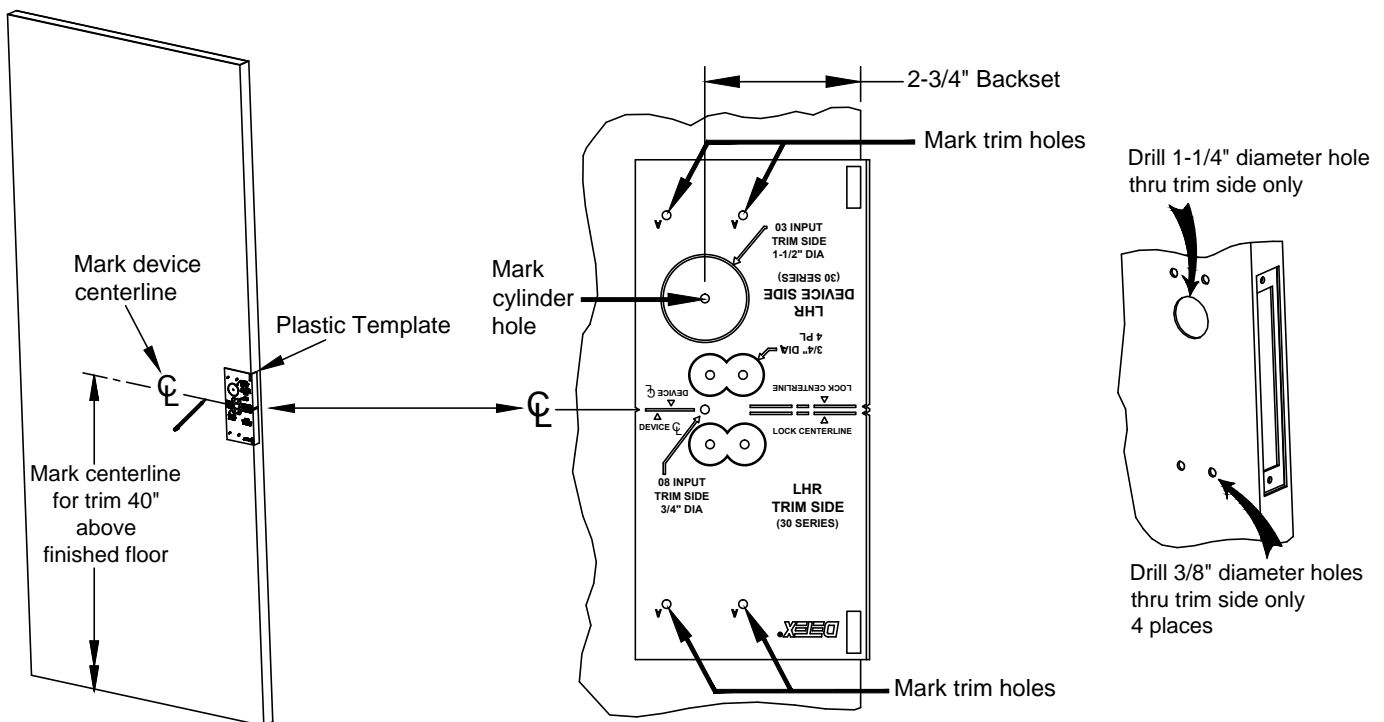


Tools Required

- Safety Glasses
- Power Drill
- Pencil
- Hammer
- Center Punch
- Tape Measure
- Phillips Screwdriver
- 5/16" drill bit
- 3/8" drill bit
- 3/4" drill bit
- 1-1/4" drill bit

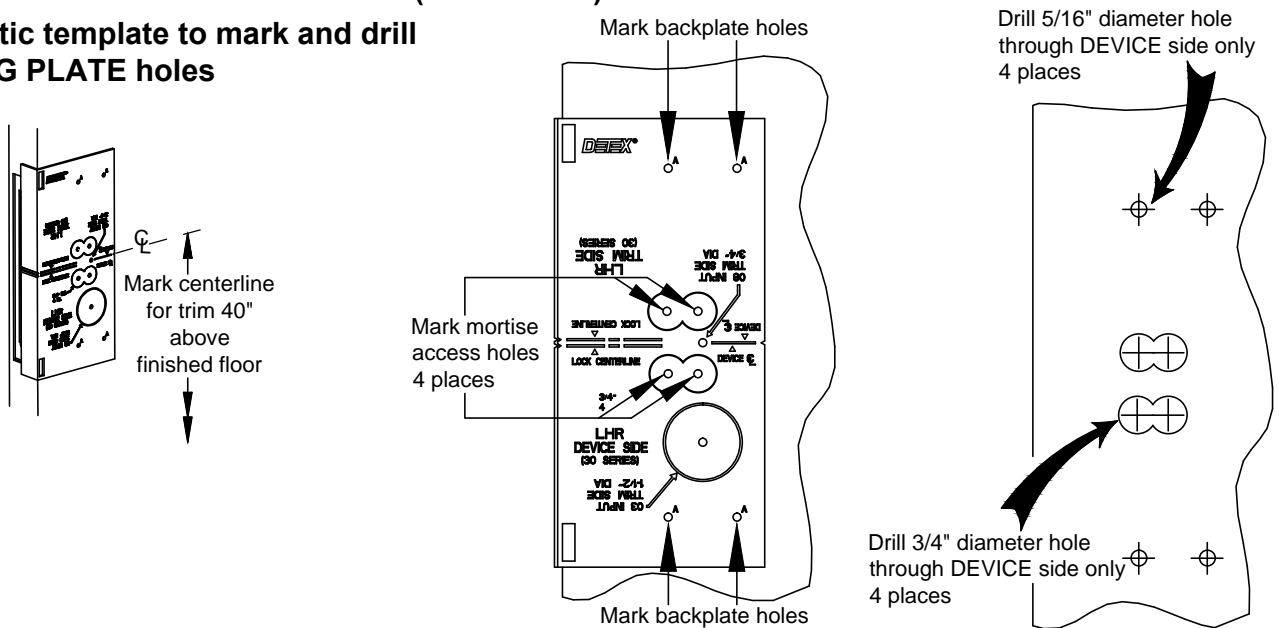
STEP 1: PREP DOOR - TRIM SIDE (LHR shown)

Use plastic template to mark and drill TRIM holes

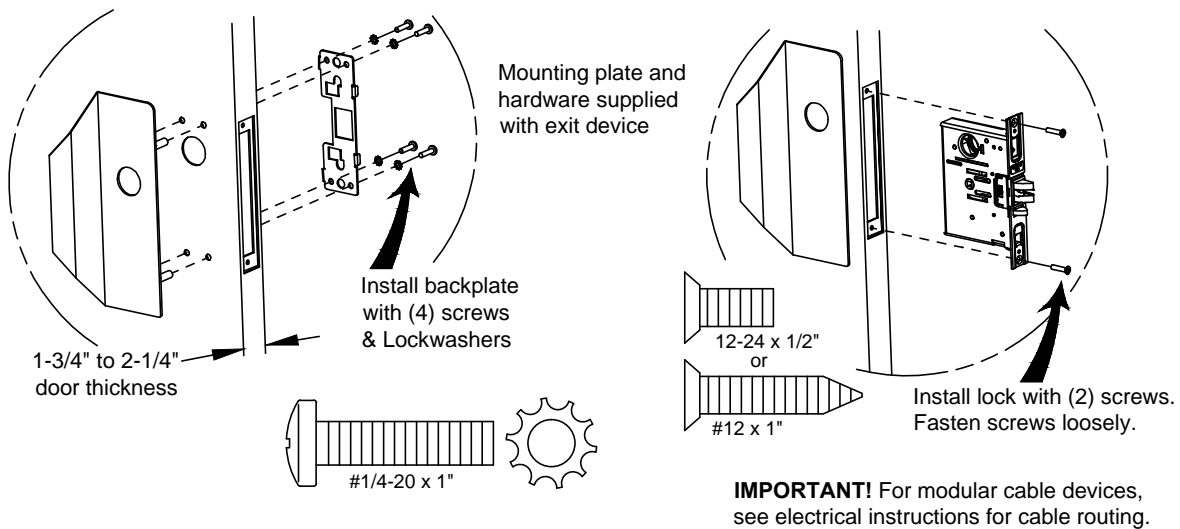


STEP 2: PREP DOOR - DEVICE SIDE (LHR shown)

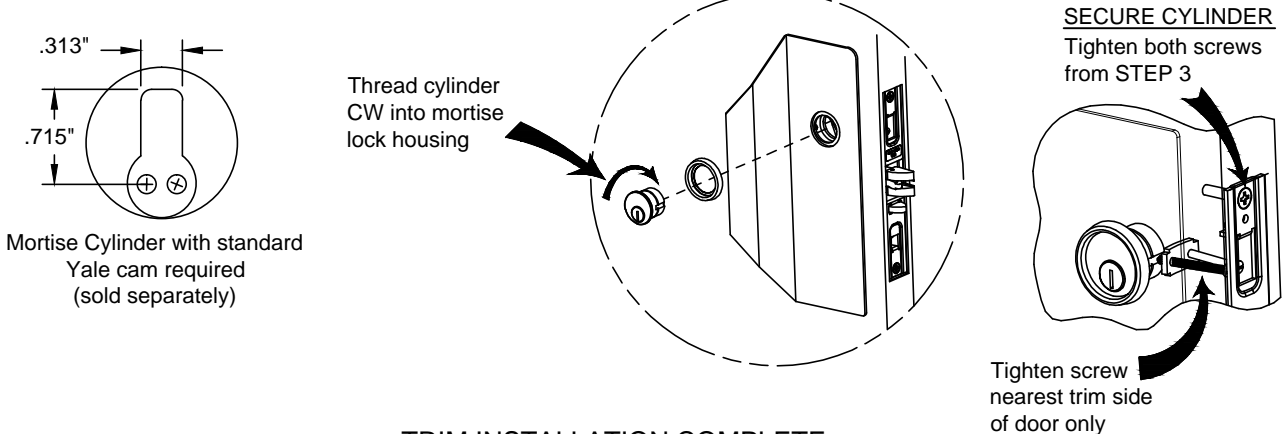
Use plastic template to mark and drill MOUNTING PLATE holes



STEP 3: INSTALL MORTISE LOCK & TRIM



STEP 4: INSTALL MORTISE CYLINDER



TRIM INSTALLATION COMPLETE

Continue installation using device instructions (p/n: 101349)