

Do you know the difference between a rim cylinder and a mortise cylinder?

By looking at the face of the cylinder, it can be difficult to tell the difference between a mortise cylinder and a rim cylinder. It's beyond the face of the cylinder where the differences become apparent.

Rim Cylinders

Installed with long screws that hold the cylinder in place

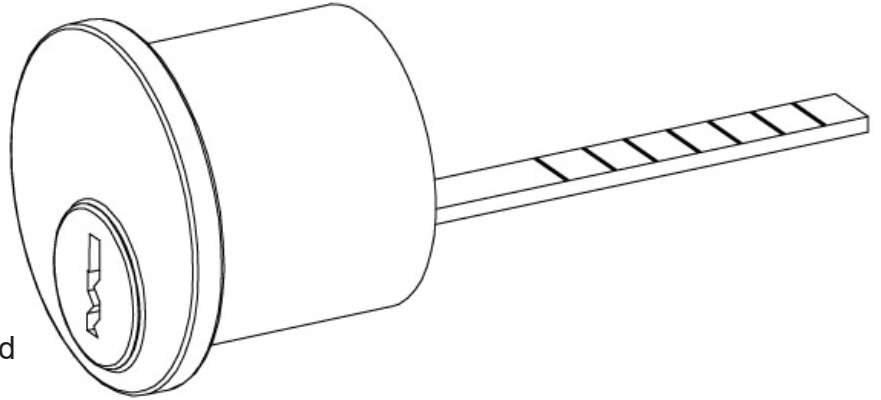
Tailpiece is a thin length of metal that protrudes from the back of the cylinder, rotating when the key is turned

Tailpieces are typically cut to a specific length

Rim cylinders typically require more space to operate

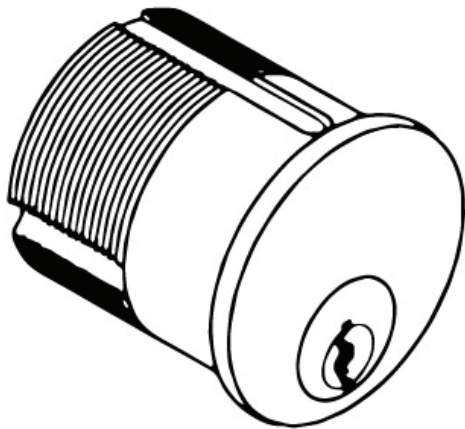
Rim cylinders are commonly used in conjunction with

- Keyed pull trims
- Residential deadbolt locks
- Exit Control Locks



Mortise Cylinders

Installed with a cylinder nut that holds the cylinder in place



Tailpiece is typically referred to as a cam which is parallel with the back of the cylinder, rotating when the key is turned

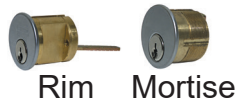
There are many different types of tailpieces or cams and ensuring you have the proper cam for your application can be challenging

Most commonly used on

- Keyed lever trims
- Most keyswitches
- Cylinder dogging on exit devices

Rim or Mortise Cylinder?

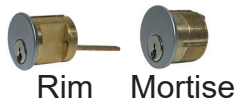
ADVANTEX®



Rim Mortise

	Rim	Mortise
Cylinder Dogging (CD)		X
Electric Unlock Trim (EU)		X
Electric Unlock Trim (EU2W)		X
Electric Unlock Trim (EUV)		X
08/09D		X
08/09DN		X
08/09DNV		X
08/09DV		X
03WS	X	
03WSV	X	
03C	X	
03CN	X	
03CNV	X	
03CV	X	
03CM		X
03Z	X	
03WM		X
03R	X	
03CBK	X	
Hardwired Exit Alarm (EA)		X
Weatherized Exit Alarm with Battery (EB W)		X
Delayed Egress (EE)		X
Electric Integration (EI)		X

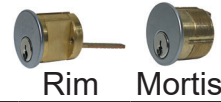
ECL



Rim Mortise

	Rim	Mortise
ECL-230D	X	
ECL-230X	X	
ECL-600	X	
ECL-620	X	

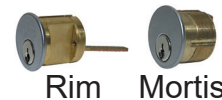
VALUE SERIES®



Rim Mortise

	Rim	Mortise
Cylinder Dogging (CD)		X
03WS	X	
03P	X	
03PN	X	
03A	X	
03AN	X	
08/09BN		X
Electric Unlock Trim (EU2W)		X
Hardwired Exit Alarm (EA)		X
Exit Alarm with Battery (EB)		X
Weatherized Exit Alarm with Battery (EB W)		X
Delayed Egress (EE)		X

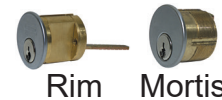
EAX®



Rim Mortise

	Rim	Mortise
EAX-500		X
EAX-2500		X
EAX-3500		X
EAX-4200		X
EAX-300		X

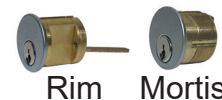
90 SERIES



Rim Mortise

	Rim	Mortise
(F)90KR	X	

Miscellaneous



Rim Mortise

	Rim	Mortise
CS-400		X