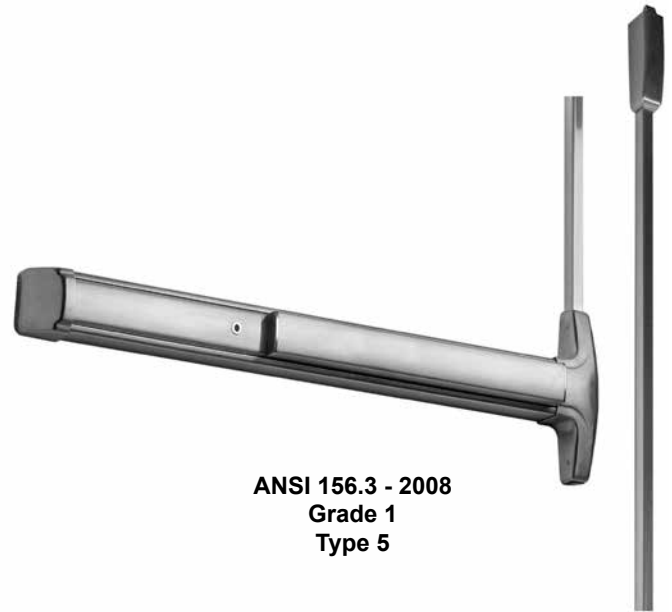




51 SERIES

Narrow Stile Surface Vertical Top Rod Only Device

The 51 Series **surface vertical rod exit device** is super-heavy-duty **panic** and **fire exit hardware** for use on all types of narrow stile double doors without a mullion. All 51 Series Top Rod Only exit devices are supplied with a rod cover. The patented mounting plate and strike locator system ensures the easiest and most accurate installation of panic hardware available.



**ANSI 156.3 - 2008
Grade 1
Type 5**

Benefits

- Tough and durable design for years of trouble-free service in high-use, high-abuse environments
- Outside trims are easily changed or rekeyed without removing device from door
- Minimal door prep saves time and money
- Fast and easy installation saves time and money
- Heavy duty angled end cap deflects damage away from device
- Security enhanced by stainless steel rod covers, standard
- Patented mounting plate and strike locator replaces paper templates

Features

- Stainless steel deadlocking top latch
- 1/8 turn hex or cylinder dogging
- All exposed surfaces are finished over stainless steel with PVD, an environmentally friendly finishing process
- Handed - field reversible
- Field sizeable

Mechanical Options

- F - 3-Hour Fire Rated
 - AM - Anti-Microbial Coating
 - HD - Hex Dogging (Std.)
 - CD - Cylinder Dogging
 - LD - Less Dogging
 - EC1 - Heavy duty angled end cap (Std.)
 - EC2 - Flush end cap
 - 24 - Fits 24" Door Width
 - 30 - Fits 30" Door Width
 - 36 - Fits 36" Door Width (Std.)
 - 48 - Fits 48" Door Width
 - 84 - 84" Door Height (Std.)
 - 96 - 85" to 96" Door Height
 - 120 - 97" to 120" Door Height
- For full list of available mechanical options, see 50 Series How To Order page

Electrical Options

- Exit Alarm (EA)
 - Electric Dogging (ED)
 - Electric Latch Retraction (ER)
 - Delayed Egress - Self Contained (EE)
 - Delayed Egress with Latch Retraction (EE ER)
 - Electric Unlock (EU)
 - Request to Exit (EX)
 - Request to Exit for High Voltage (EXV)
- Refer to Electrified Options section for more information



Accessories

- GB6 - Glass Bead Kit - 7' Door Height (84")
- GB10 - Glass Bead Kit - 8' Door Height (85" - 96")
- GB14 - Glass Bead Kit - 10' Door Height (97" - 120")
- SN1 - Sex Nut Kit (2 per package)
- SSK- Security Torx Screw Kit
- Trim Functions (see Outside Trims)

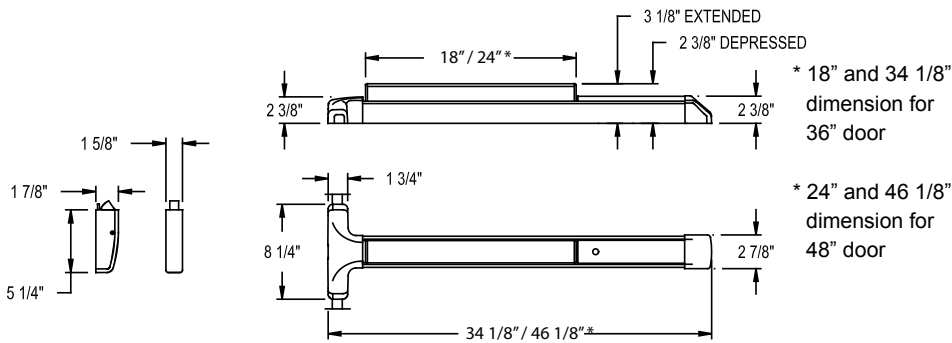
Technical Information

- Door Types - Wood, Hollow Metal, Fiberglass or Aluminum
- Door Thickness - Fits standard 1-3/4" - 2-1/4" doors (for other door thicknesses contact factory)
- Minimum Stile - 2" with standard 96 strike
- Fasteners - Machine and Self-Drilling Screws standard

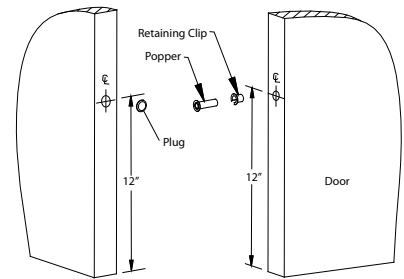
Finishes

605 / US3	Polished Brass	628 / US28	Aluminum Satin	693 / SPBLK	Black, Painted
606 / US4	Brushed Brass	629 / US32	Polished Stainless Steel	695 / SP 313	Dark Bronze, Painted
611 / US9	Polished Bronze	630 / US32D	Brushed Stainless Steel		
612 / US10	Brushed Bronze				
613 / US10B	Oil Rubbed Bronze				

Dimensions



Popper Detail for Fire Rated Device



Listings and Approvals



UL Listed Panic Hardware



UBC 97, Standard 7-2 and UL10B/UL10C for positive pressure



UL Listed Fire Exit Hardware for 3 hours, maximum 4'x10' single doors and 8'x10' pairs of doors



Meets NFPA 80 & 101 for Life Safety



Meets ADA requirements



California State Fire Marshall



ANSI/BHMA certified A156.3

Detex Limited Warranty

10 Year Mechanical/3 year Electrical Limited Manufacturer's Warranty



For detailed fire listings, visit www.detex.com/PROVEN

Detex Corporation
 302 Detex Drive
 New Braunfels, Texas 78130-3045 USA
 PH. (830) 629-2900
 (800) 729-3839
 FAX (800) 653-3839
<http://www.detex.com>
 USA Sales:
marketing@detex.com
 International Sales:
export@detex.com

Cancer & Reproductive Harm - www.detex.com/prop65