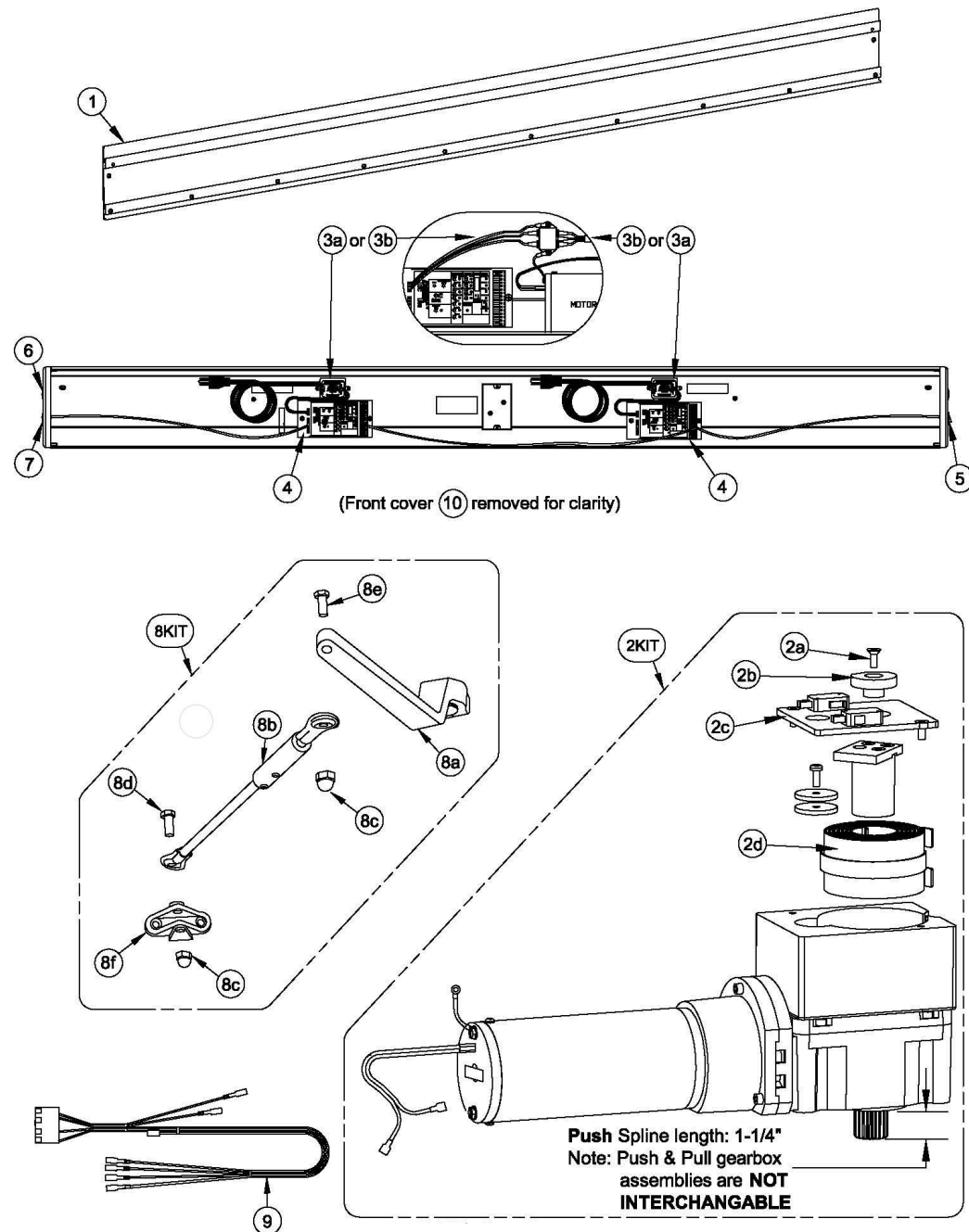


# AO19 SERIES®

## AO19-2 Push Parts List



Item	Order Part#	Description	Price
1	12515-5	Hanger plate, AO19, Aluminum finish, 74" long	\$335.00
	12515-6	Hanger plate, AO19, Bronze finish, 74" long	\$344.00
	12515-7	Hanger plate, AO19, Aluminum finish, 90" long	\$390.00
	12515-8	Hanger plate, AO19, Bronze finish, 90" long	\$390.00
	12515-15	Hanger plate, AO19, Aluminum finish, 98.50" long	\$445.00
	12515-16	Hanger plate, AO19, Bronze finish, 98.50" long	\$445.00
2KIT	104796-3	S&R Motor-gearbox assembly, AO19, RH Push (includes 2a-2d)	\$1,937.00
	104796-1	S&R Motor-gearbox assembly, AO19, LH Push (includes 2a-2d)	\$1,937.00
2a	12407-2	Screw, mach, 10-32 x 1/2", flat socket head	\$0.27
2b	12607	Cam, AO19	\$2.34
2c	104705	Switch plate subassembly	\$55.00
2d	105433	S&R AO19 Clock spring replacement kit	\$160.00
3a	105416-2	S&R Kit, 120VAC Line Filter, 4 ft	\$382.67
3b	105416-5	S&R Kit, 120VAC Line Filter, 4 ft (alternate build)	\$141.00
4	105421	S&R Controller, operator, UDC 1000	\$1,162.00
5	105422	S&R Switch, 3 way toggle, with cable & connector (for Controller, independent units)	\$175.00
	106911-1	UDC 1000 Cable/Switch assembly, 36" (for dual units)	\$165.00
	106911-2	UDC 1000 Cable/Switch assembly, 57" (for dual units)	\$246.00
6	12905	Plug, hole, .875 dia.	\$1.15
7	12906	Plug, hole, 1.093 dia.	\$1.15
8KIT	104798-1	Push Arm subassembly, Aluminum finish (includes 8a-8f)	\$269.00
	104798-2	Push Arm subassembly, Bronze finish (includes 8a-8f)	\$269.00
8a	12731-1	Bent Arm, AO19, Aluminum finish	\$122.00
	12731-2	Bent Arm, AO19, Bronze finish	\$122.00
8b	104728-1	Push arm rod assembly, Aluminum finish, 20"	\$103.00
	104728-2	Push arm rod assembly, Bronze finish, 20"	\$103.00
8c	12741-1	Nut, acorn, 3/8-24 Aluminum finish	\$2.29
	12741-2	Nut, acorn, 3/8-24 Bronze finish	\$2.29
8d	12739-1	Screw, hex cap, 3/8-24 x 1-3/4" long, Aluminum finish	\$2.29
	12739-2	Screw, hex cap, 3/8-24 x 1-3/4" long, Bronze finish	\$2.29
8e	12743-1	Screw, hex cap, 3/8-24 x 1-1/4" long, Aluminum finish	\$2.29
	12743-2	Screw, hex cap, 3/8-24 x 1-1/4" long, Bronze finish	\$2.29
8f	12735-1	Door foot, AO19, Aluminum finish	\$53.00
	12735-2	Door foot, AO19, Bronze finish	\$49.00
9	104706	Micro harness, AO19	\$48.00
10	12516-5	Cover, AO19, Aluminum finish, 74" long (not shown)	\$300.00
	12516-6	Cover, AO19, Bronze finish, 74" long (not shown)	\$300.00
	12516-7	Cover, AO19, Aluminum finish, 90" long (not shown)	\$314.00
	12516-8	Cover, AO19, Bronze finish, 90" long (not shown)	\$314.00
	12516-15	Cover, AO19, Aluminum finish, 98.75" long (not shown)	\$342.00
	12516-16	Cover, AO19, Bronze finish, 98.75" long (not shown)	\$342.00

NOTE: Your particular part or configuration may not be shown: Contact Detex technical support at 800-729-3839 (option 2)