



Detex Corporation, 302 Detex Drive, New Braunfels, Texas 78130-3045
830-629-2900 / 800-729-3839 / Fax 800-653-3839 / Text photos only: 830-481-6433 / INTERNET: www.detex.com

INSTALLATION INSTRUCTIONS FOR F90KR & 90KR REMOVABLE MULLION

Drawing # 100225

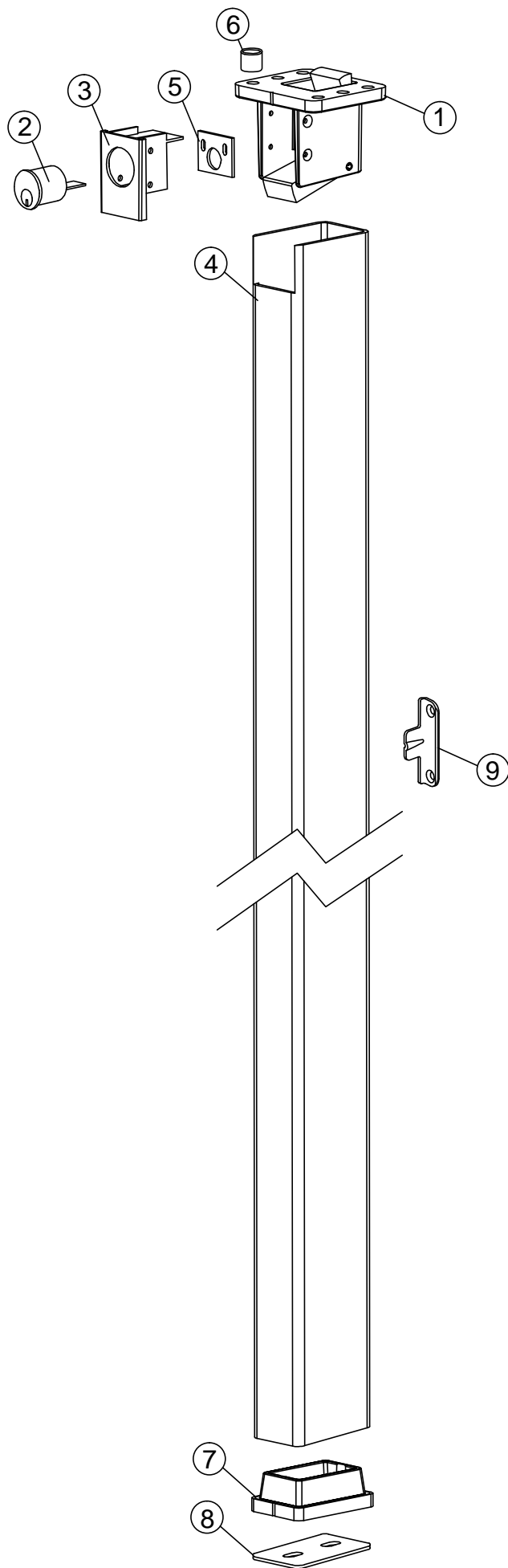
Table of Contents	Page
Device parts breakdown view.....	2
Parts list.....	3
Hardware list with part numbers & tools required.....	4
Door check.....	5
Foam tape installation, mark location of device.....	6
Mark top fitting location, cut cylinder tailpiece.....	6
Install cylinder housing, install Top fitting.....	7
Tube fitment / cutting.....	7
Mark and install base fitting.....	8
Check for tube fitment, strike and strike hook installation....	9

Should you have a Question/Problem with your Detex device please call Detex Technical Support from the job site at 1-800-729-3839 and choose option 2 on our menu. Please do not return the product to the distributor.

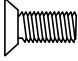
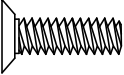
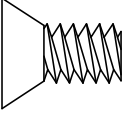
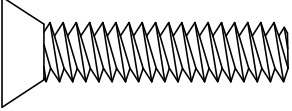
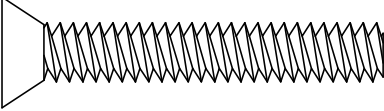
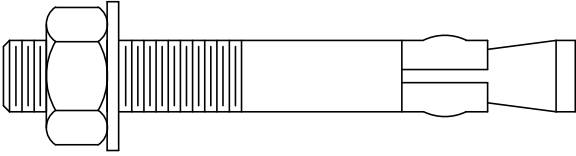
**For WARRANTY information,
scan code below or
go to www.detex.com/warranty**

**For device installation videos,
scan code below or
go to www.detex.com/videos**





Item	Part No	Description
1	100222-5	Top fitting subassy, 90KRE
	100222-1	Top fitting subassy, 90KR
	100222	Top fitting subassy, F90KR
2	ECL-445K-7	Rim Cylinder (sold separately)
3	100215K	Cylinder housing
4	100213-1	Post, Mullion, F90KR / 90KR, 7 ft
	100213	Post, Mullion, F90KR / 90KR, 8 ft
	100213-2	Post, Mullion, F90KR / 90KR, 10 ft
	106397-1	Post, Mullion Subassy, 90KRE, 7 ft
	106397-2	Post, Mullion Subassy, 90KRE, 8 ft
	106397-3	Post, Mullion Subassy, 90KRE, 10 ft
5	100221	Rim cylinder back plate (in hardware kit)
6	101593-1	Spacer, Mullion, 1/2" long (in hardware kit)
	101593-2	Spacer, Mullion, 5/8" long (in hardware kit)
7	100226	Base, Mullion (in hardware kit)
8	100219	Shim, Mullion (in hardware kit)
9	100091	Strike Hook (in hardware kit)

Hardware List	
	8-32 x 3/8" PFH P/N: 101006
	10-24 X 5/8" PFHUMS P/N 100112
	5/16-18 X 5/8" PFHMS P/N 100224
	5/16-18 X 1-1/2" PFHMS P/N 101147
	5/16-18 X 2" PFHMS P/N 101143
	3 /8" x 3" Wedge Anchor P/N 100217

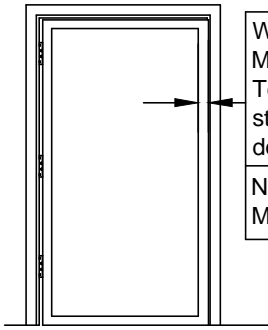
Tools Required:

Power Drill
Level
Hammer
Tape Measure

Safety Glasses
Pencil
Combination Square
Center Punch

Allen Wrench (1/8")
Phillips Screw Drivers (#2 and #3)
Tap Wrenches (5/16-18)

!!!CHECK BEFORE STARTING!!!



Wide Stile (Surface Strike) 99:
Minimum door stile 4-1/2" (114 mm)
Template drawings provide door and frame structural and dimensional specifications for door and frame preparation.

Narrow Stile 98:
Minimum door stile 2" (51mm)

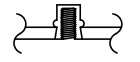
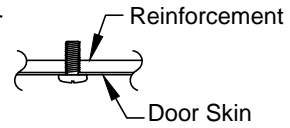
Doors and frames with walls having a structural thickness (metal skin plus reinforcement, or solid wood) to engage less than (3) full screw threads, are considered unreinforced for hardware.

Unreinforced Doors: Use Sex Nuts and Bolts.

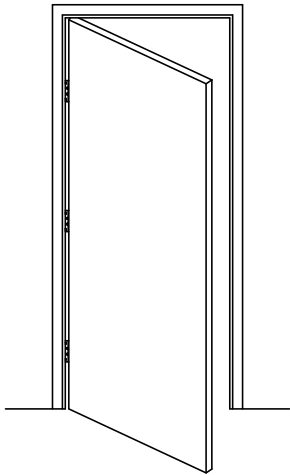
Unreinforced Frames: Use Blind Rivet Nuts (see sketch).

Fasteners for unreinforced openings are not supplied by Detex.

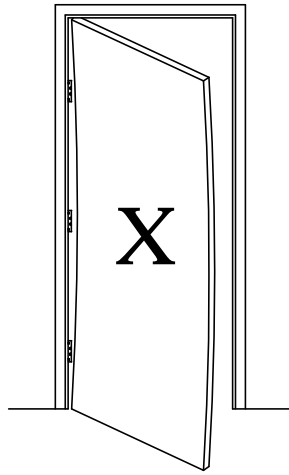
Reinforced door or frame engages at least (3) screw threads.



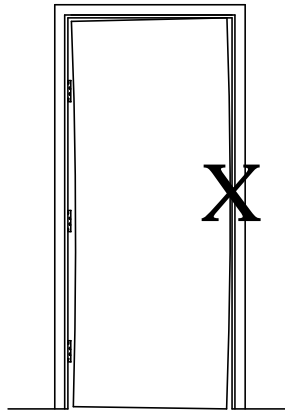
Blind Rivet Nut



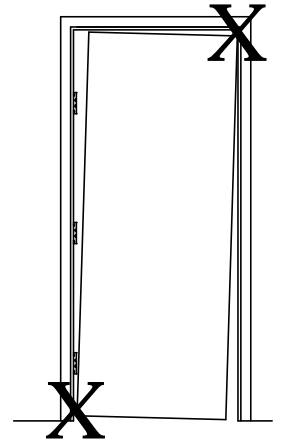
Door Must Swing Freely



Door Must Not be Warped



Door Must Not Bind



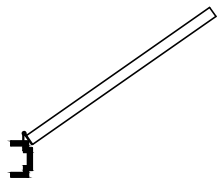
Door Must Not Sag

NOTE: 750mm MAXIMUM DOOR WIDTH OPENING FOR EUROPE FOR 36" DEVICE

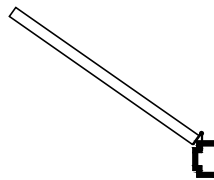
1000mm MAXIMUM DOOR WIDTH OPENING FOR EUROPE FOR 48" DEVICE

THE SAFETY FEATURES OF THIS PRODUCT ARE ESSENTIAL TO IT'S COMPLIANCE WITH EN 1125.

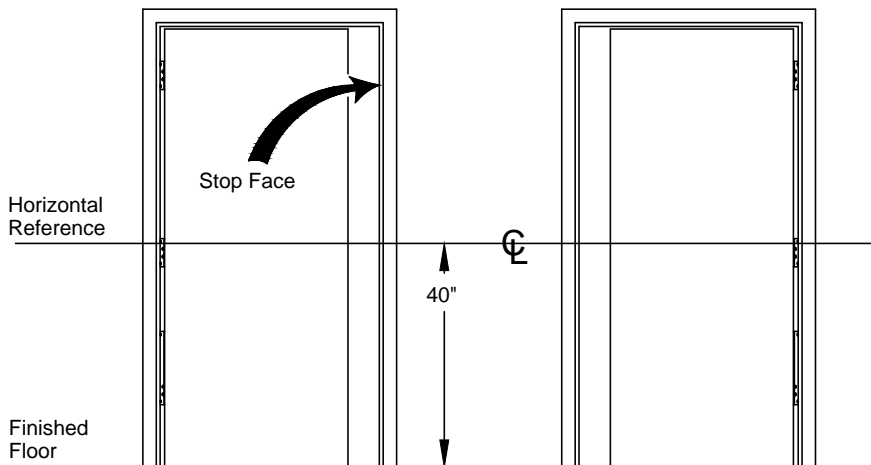
NO MODIFICATION OF ANY KIND, OTHER THAN THOSE DESCRIBED IN THESE INSTRUCTIONS ARE PERMITTED.



RHR Door



LHR Door

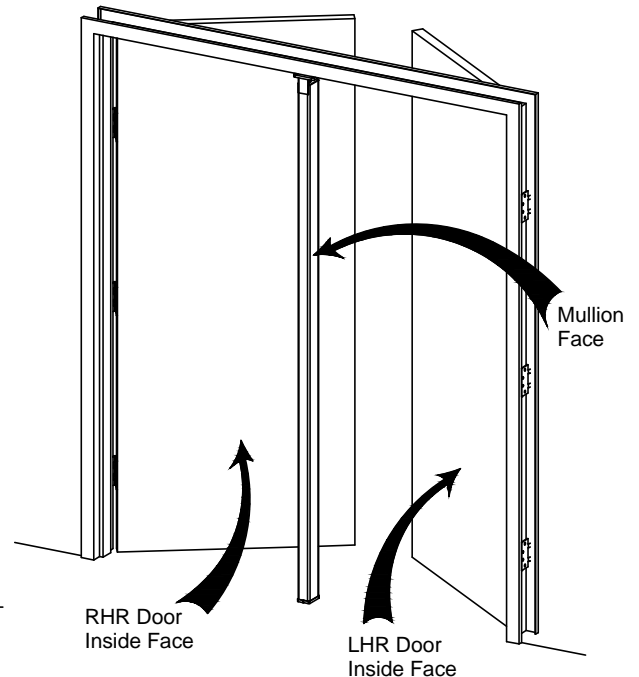


Horizontal Reference

Stop Face

40"

Finished Floor

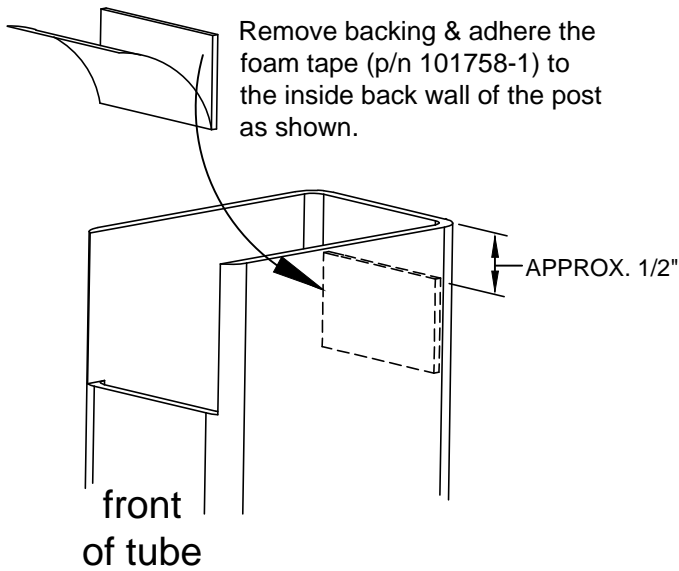


RHR Door Inside Face

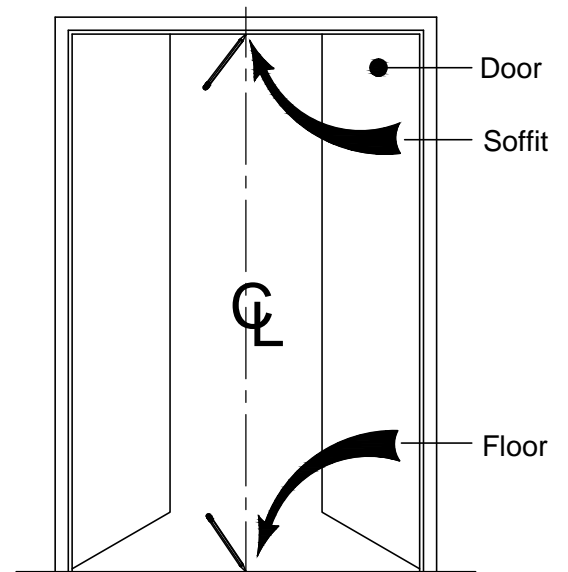
LHR Door Inside Face

Mullion Face

STEP 1: Install foam tape

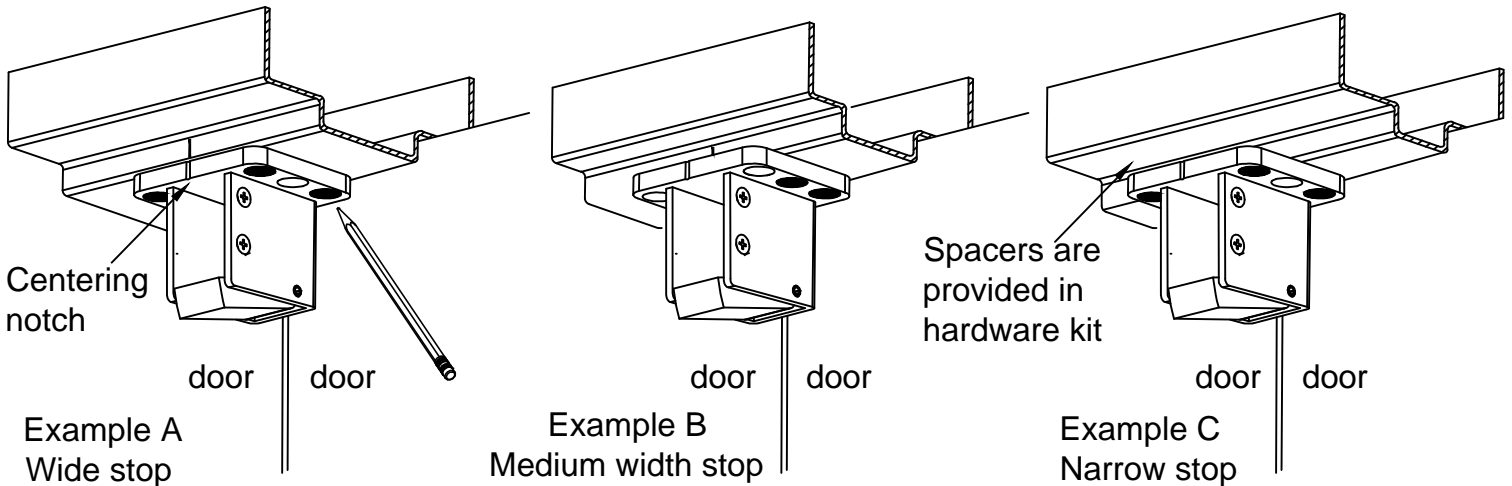


STEP 2: Mark the center of door opening at the soffit and the floor



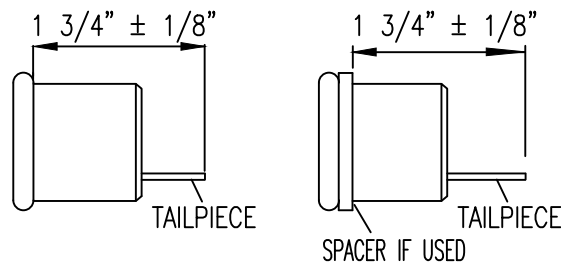
STEP 3: Mark the Top Fitting hole locations.

Due to the various door stop widths, different mounting hole locations are provided. See below.



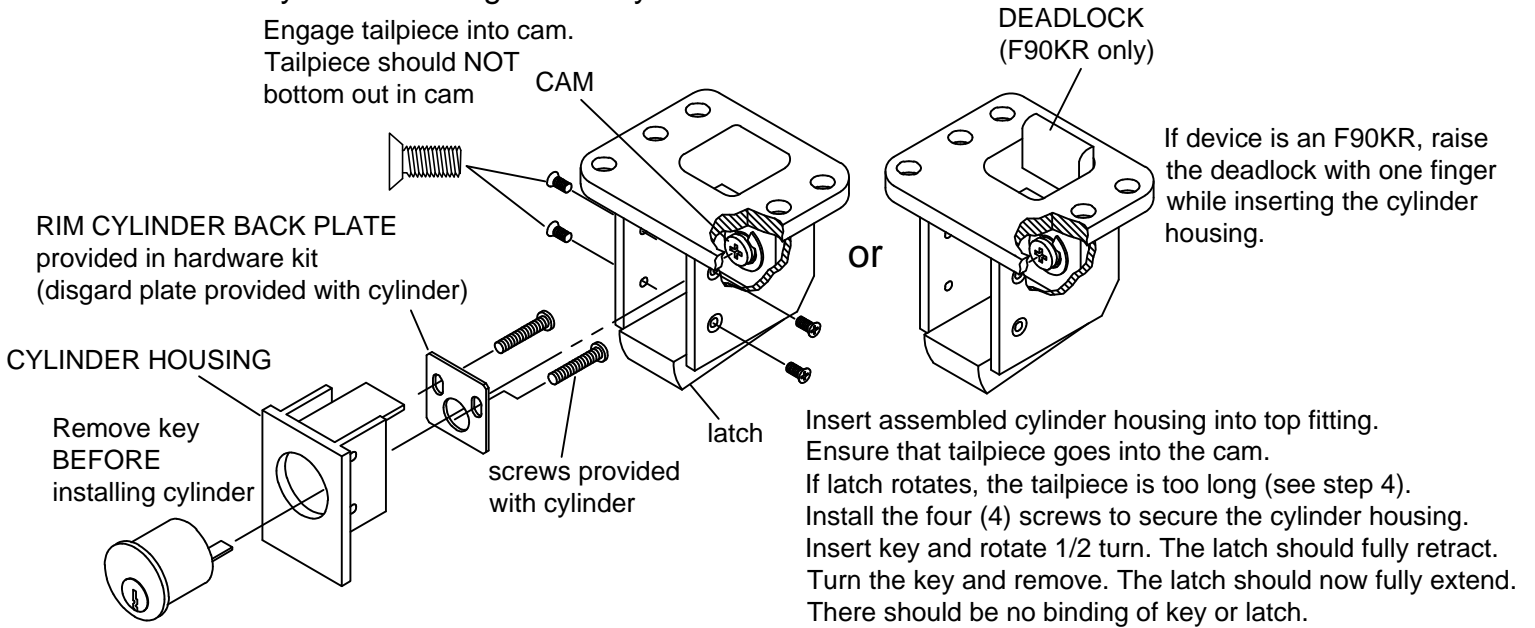
Close the doors and place the Top Fitting **against the doors** and line up the centering notch with the marks made in step 2. Mark and drill the soffit at four (4) hole locations with #F bit. Tap the four (4) holes with 5/16"-18 tap. If top fitting overhangs the stop (example C), spacers (1/2" long p/n 101593-1 & 5/8" long p/n 101593-2) are provided in the hardware kit.

STEP 4: Cut cylinder tailpiece to correct length (sold separately)

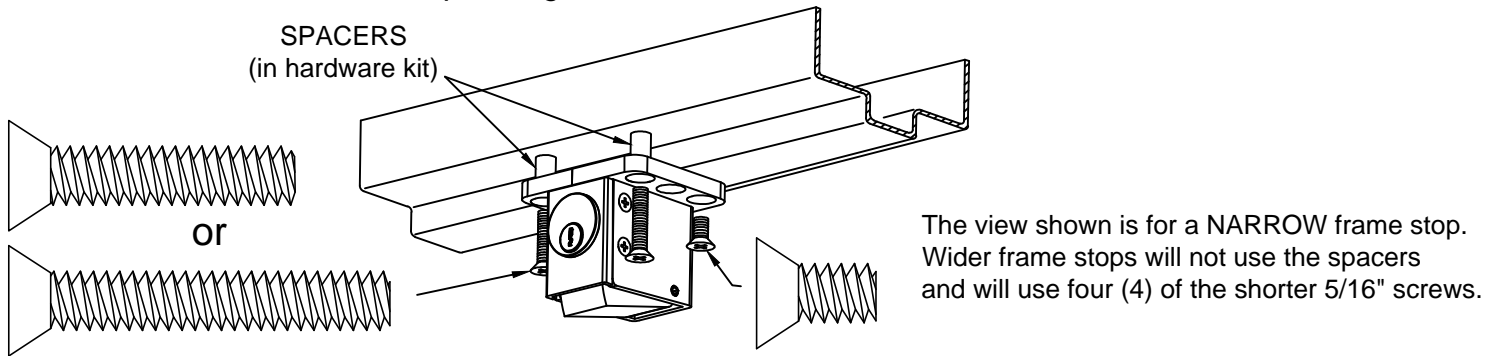


Cut tailpiece to dimension shown above.

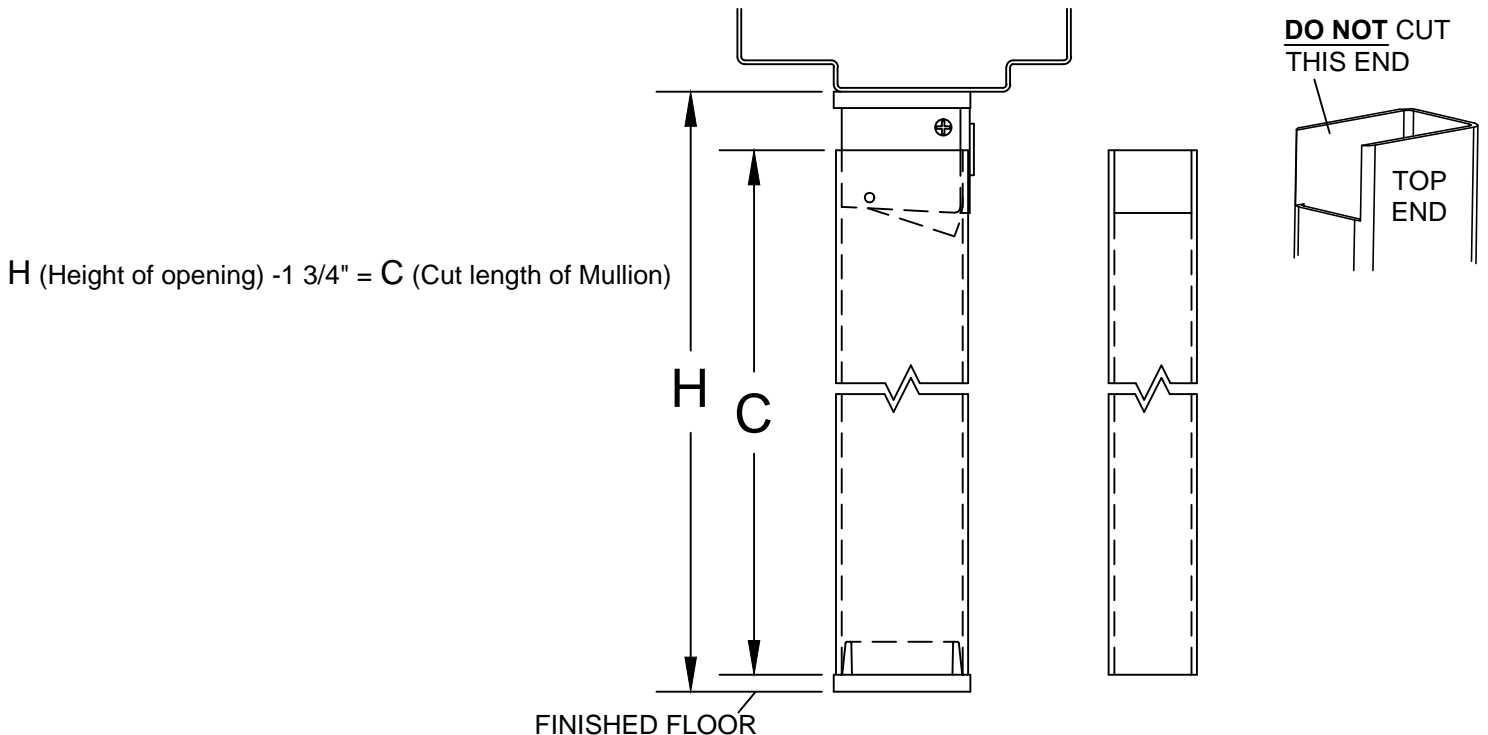
STEP 5: Install cylinder housing assembly



STEP 6: Install assembled Top Fitting



STEP 7: Tube fitment / cut tube to length (if required)



STEP 8: Mark Base Fitting location & install

If there is a threshold, be sure to cut the threshold so that the base fitting is resting on the non-flammable flooring.

Place the mullion tube into the base fitting and pivot the top upward into place.

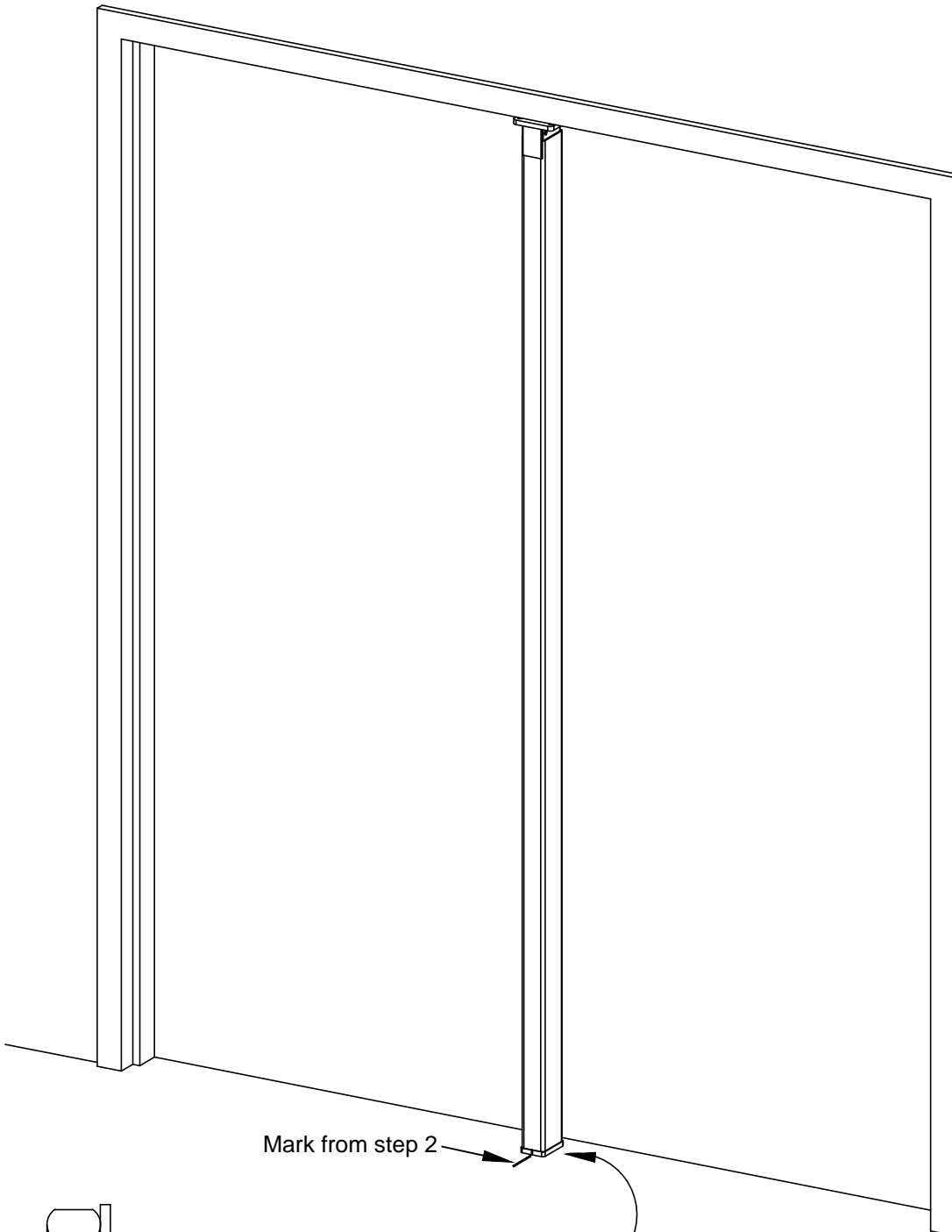
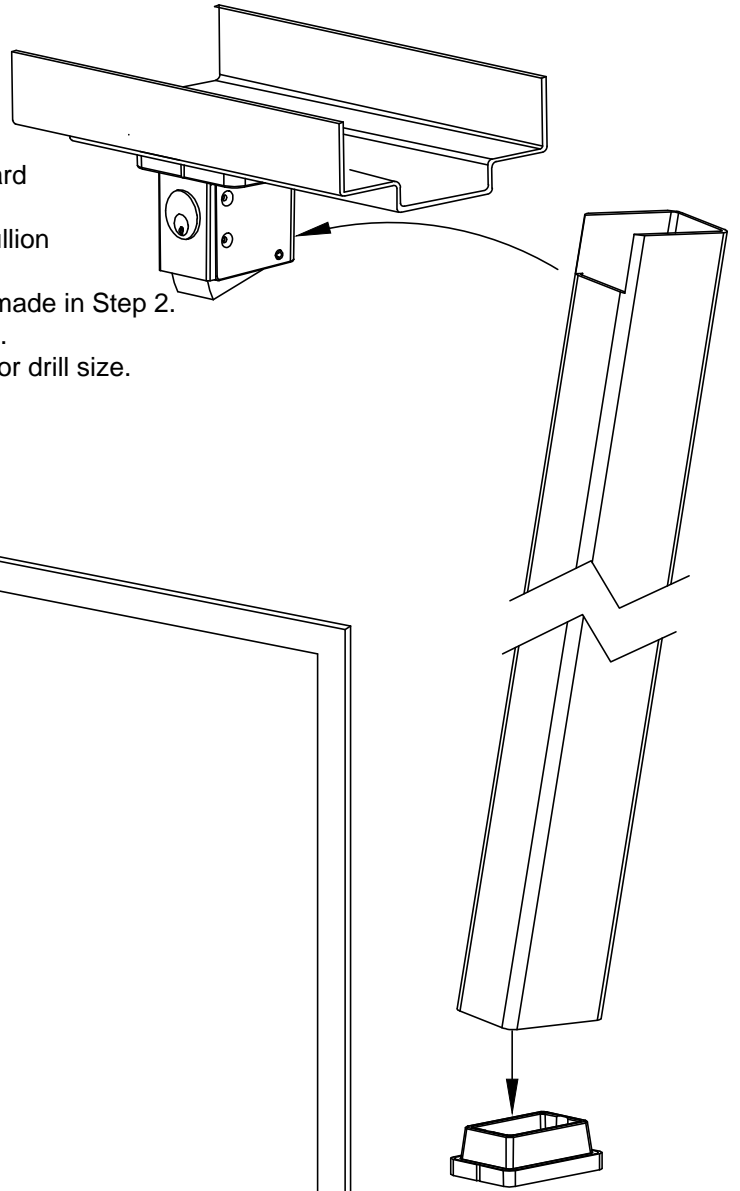
Close the doors. Slide the base fitting at the floor and butt the mullion to the doors.

Align the centering notches on the fitting with the mark that was made in Step 2.

Mark the location of the base fitting. Carefully remove the mullion.

Mark and drill the floor at the two (2) hole locations. See anchor for drill size.

Install base fitting using anchors in hardware kit.



Mark from step 2



2 places

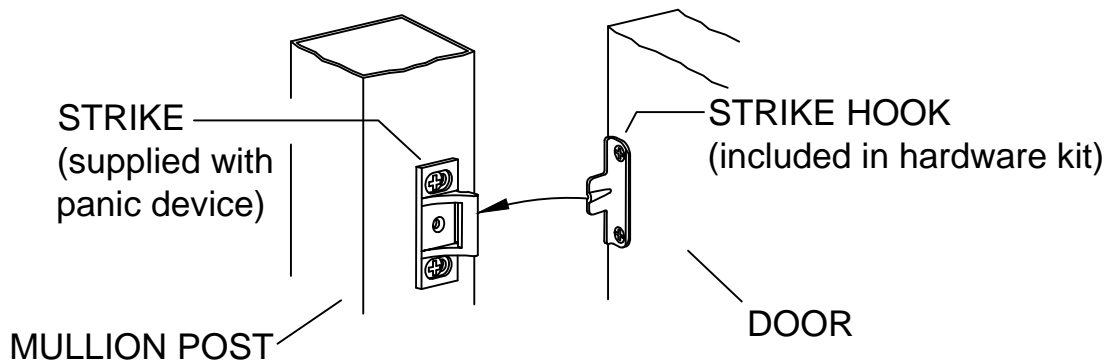
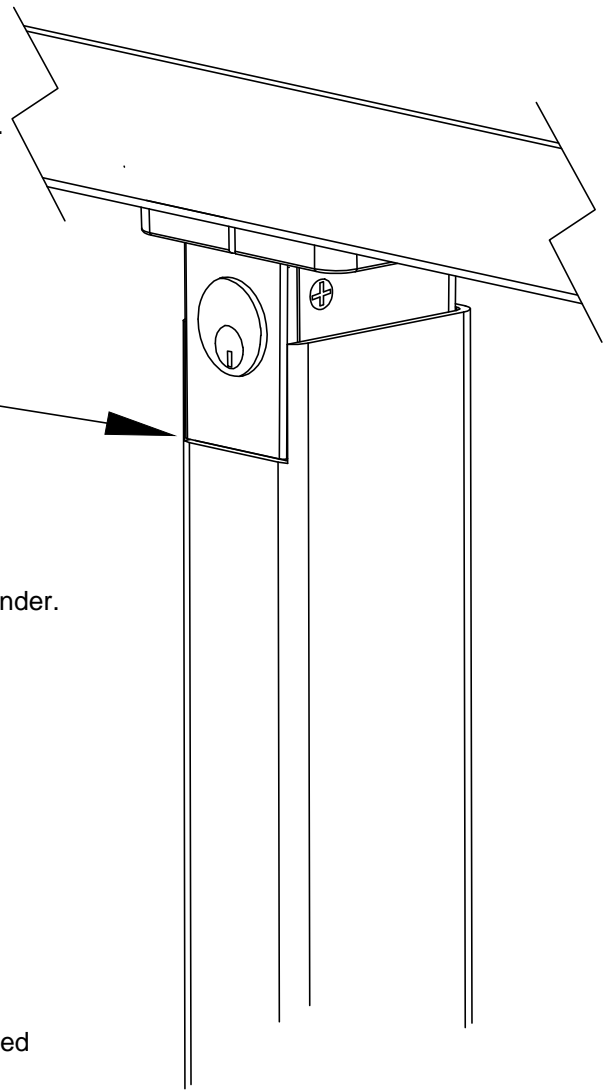
STEP 9: Check for tube fitment

Replace the mullion into the base fitting and pivot the top upward into place. The mullion should snap firmly into place.

If there is too much gap (1/8" or more between the cut out mullion tubing and the cylinder housing), install the shims provided to raise the sill fitting off of the floor.

Ensure that the mullion is easily removable when the key is turned in its cylinder.

Attach the strikes to the side of the mullion according to the template provided with the locking device to be used.



Attach one strike hook per door leaf according to the template provided with the locking device to be used. Ensure that the strike hook engages the strike without interference to the latching mechanism.

Open and close the door. The strike hook should not cause friction or bind during the opening and closing cycles of the door.

PROBLEMS?

Contact Customer Service at
800-729-3839