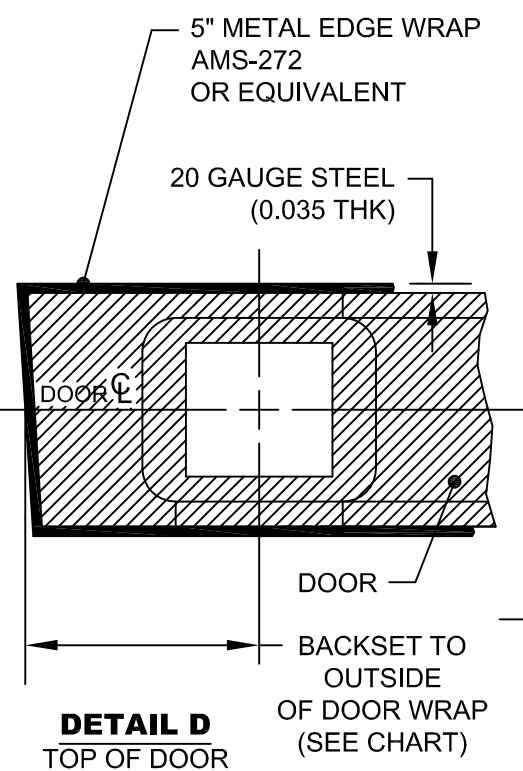
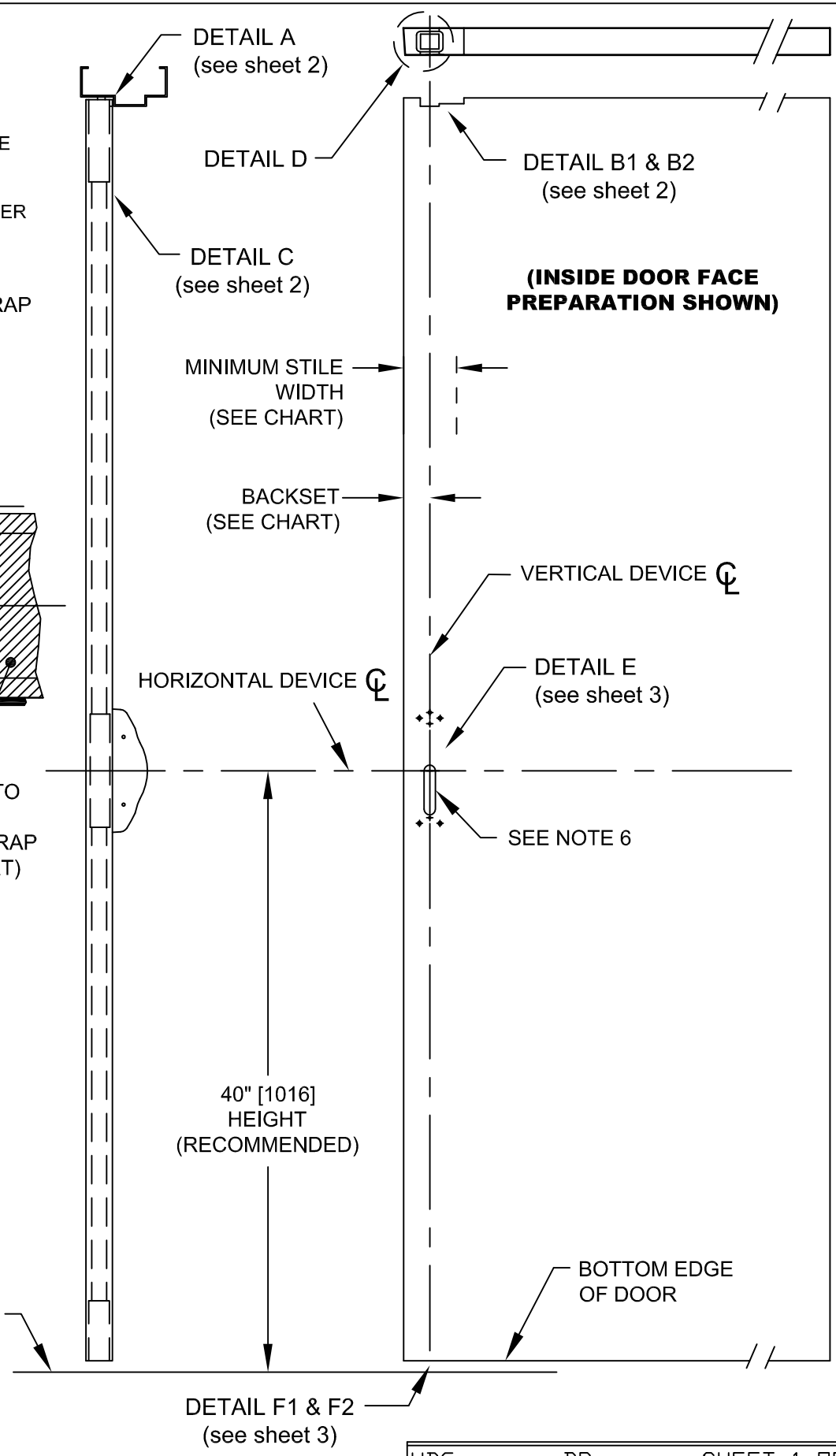


- NOTES:  
 1. DO NOT SCALE DRAWING.  
 2. DIMENSIONS ARE IN INCHES [mm].  
 3. LHR DOOR SHOWN.  
 4. MINIMUM STILE WIDTH: SEE CHART.  
 5. IF REQUIRED: THRU-BOLT HOLE SIZE  
 9/32" INTERIOR DOOR FACE  
 3/8" EXTERIOR DOOR FACE  
 6. IF OUTSIDE TRIM IS REQUIRED, REFER  
 TO OUTSIDE TRIM TEMPLATE.



BACKSET	MINIMUM STILE
2-1/4" (57.2)	4-1/2 (114)



HDG. \_\_\_\_\_ DR. \_\_\_\_\_ SHEET 1 OF 4

**RESPONSIBILITY**  
 Door and Frame Manufacturers are responsible for providing adequate construction or reinforcements for proper installation of hardware shown. All architectural builders hardware must be installed on properly reinforced doors and frames regardless of the type, material or method of construction.

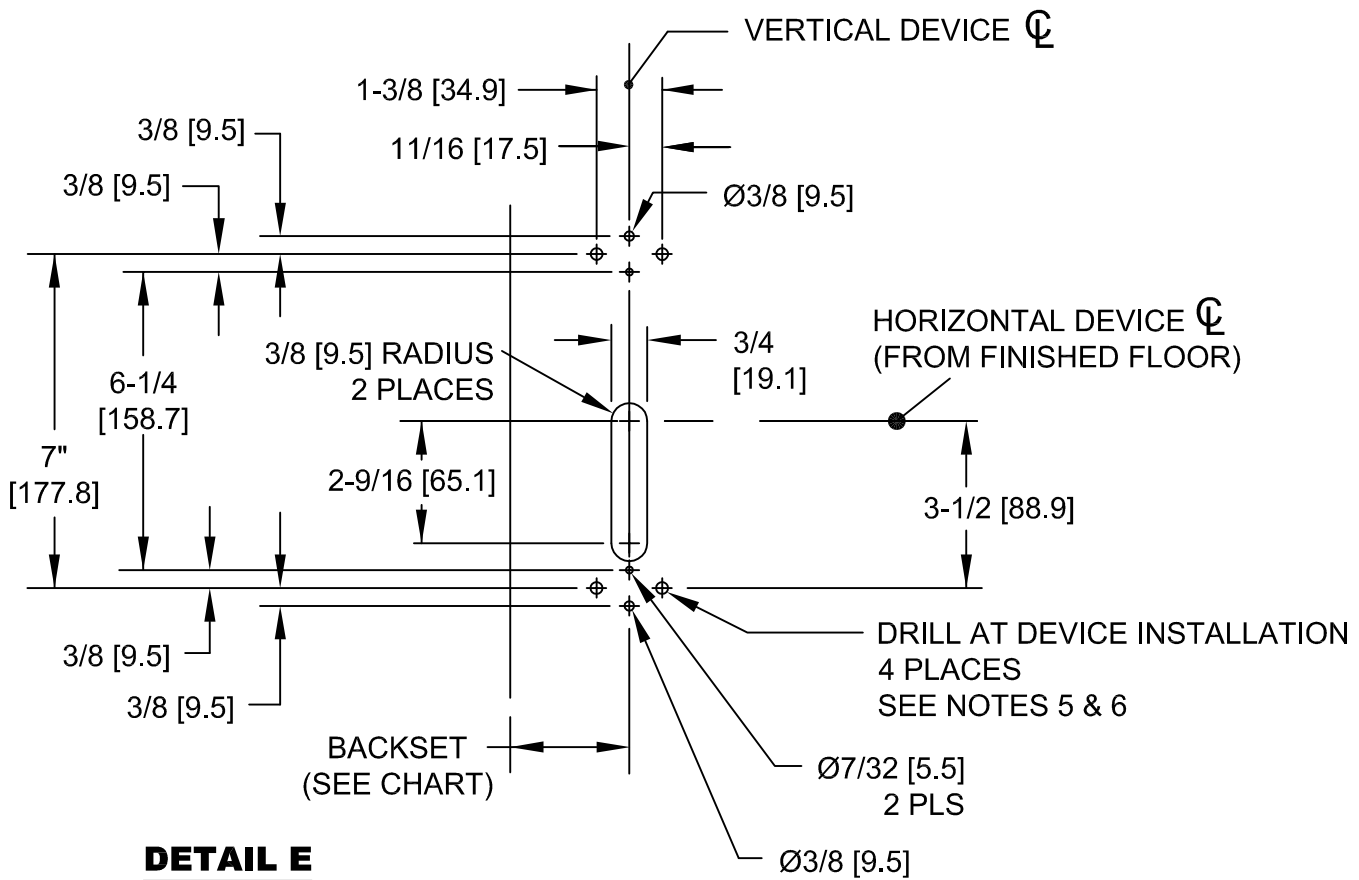
TEMPLATE  
 WOOD DOOR  
 F70 WITH EDGE WRAP  
 CONCEALED VERTICAL ROD EXIT  
 DEVICE

**DETEx**<sup>®</sup>

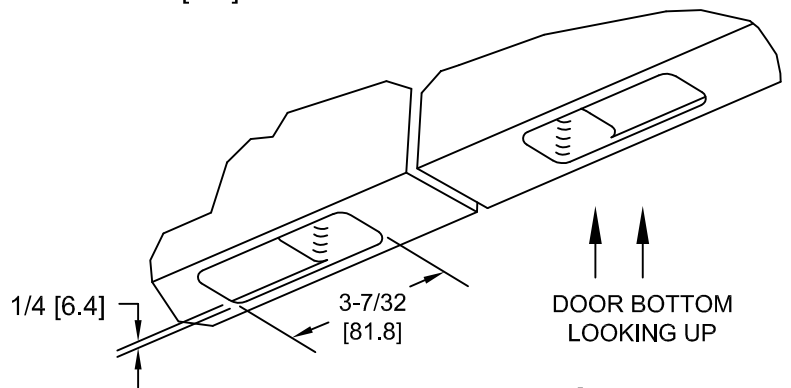
DO NOT SCALE DRAWING

DATE	8-27-15	TEMPLATE NUMBER	T2335
------	---------	-----------------	-------

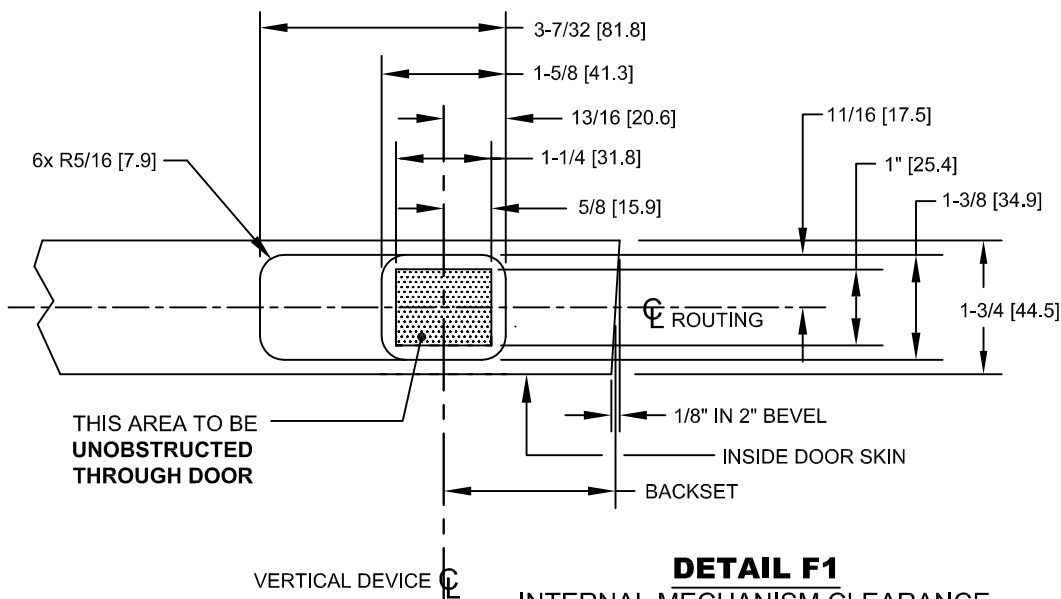




**DETAIL E**  
DEVICE SIDE MACHING  
(INSIDE DOOR FACE ONLY)

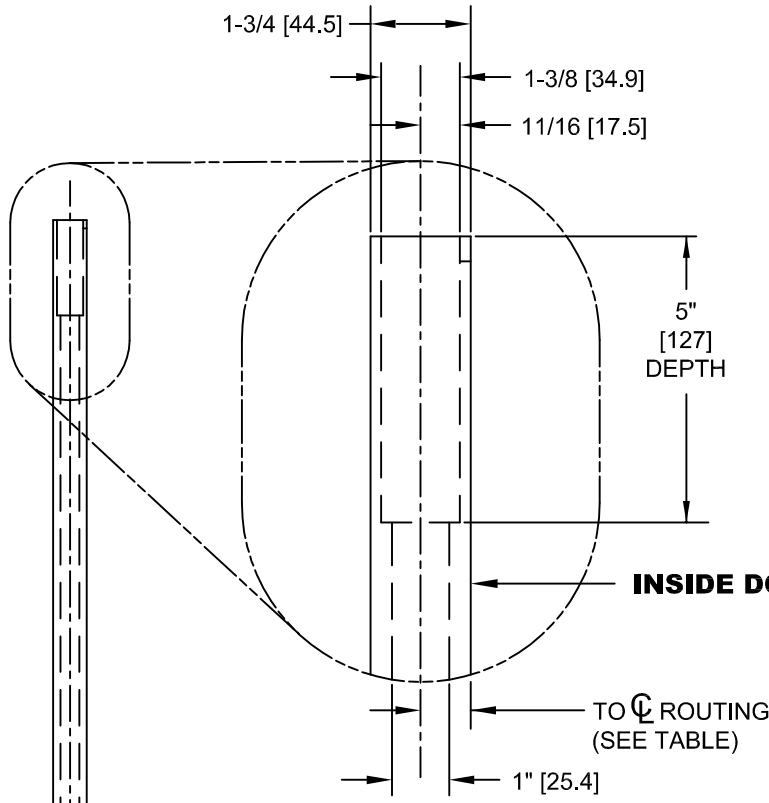


**DETAIL F2**  
DOOR BOTTOM MACHINING

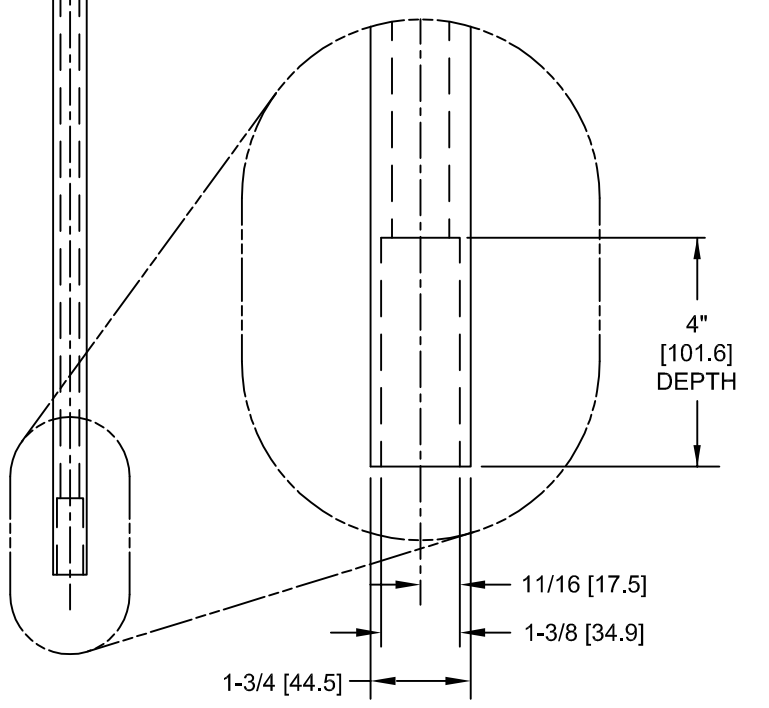


**DETAIL F1**  
INTERNAL MECHANISM CLEARANCE  
(LOOKING FROM BOTTOM OF DOOR)

TEMPLATE - F70 DEVICE		
SHEET 3 OF 4		
DATE	8-27-15	TEMPLATE NO. T2335



DOOR THICKNESS	CL ROUTING
1-3/4 [44.5]	7/8 [22.2]
2" [50.8] OR MORE	1" [25.4]



**TOP RELIEF**

