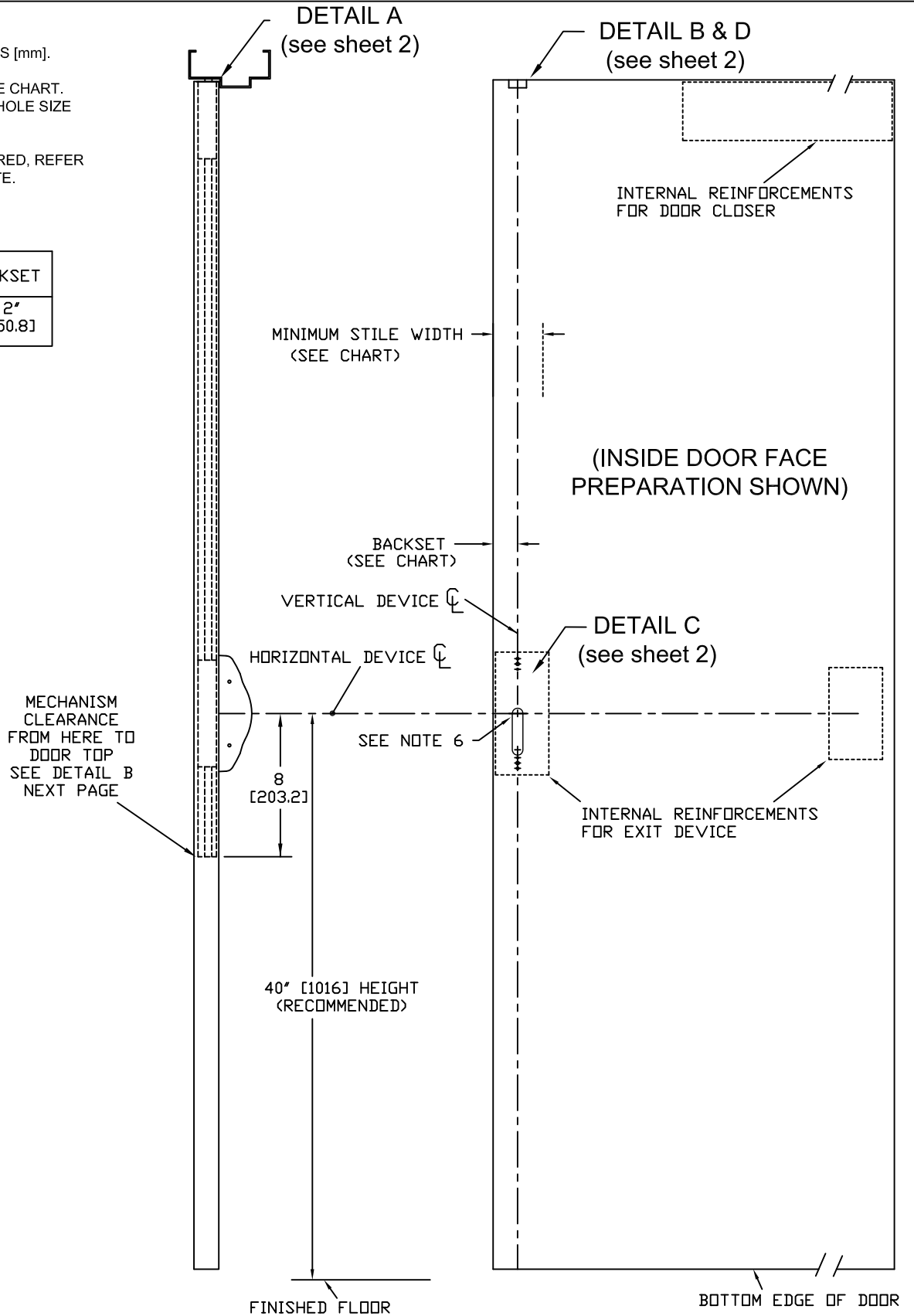


NOTES:

1. DO NOT SCALE DRAWING.
2. DIMENSIONS ARE IN INCHES [mm].
3. LHR DOOR SHOWN.
4. MINIMUM STILE WIDTH: SEE CHART.
5. IF REQUIRED: THRU-BOLT HOLE SIZE
9/32" INTERIOR DOOR FACE
3/8" EXTERIOR DOOR FACE
6. IF OUTSIDE TRIM IS REQUIRED, REFER TO OUTSIDE TRIM TEMPLATE.

STILE WIDTH	BACKSET
3-1/2" (min) [88.9]	2" [50.8]



HDG. _____ DR. _____ SHEET 1 OF 2

RESPONSIBILITY

Door and Frame Manufacturers are responsible for providing adequate construction or reinforcements for proper installation of hardware shown. All architectural builders hardware must be installed on properly reinforced doors and frames regardless of the type, material or method of construction.

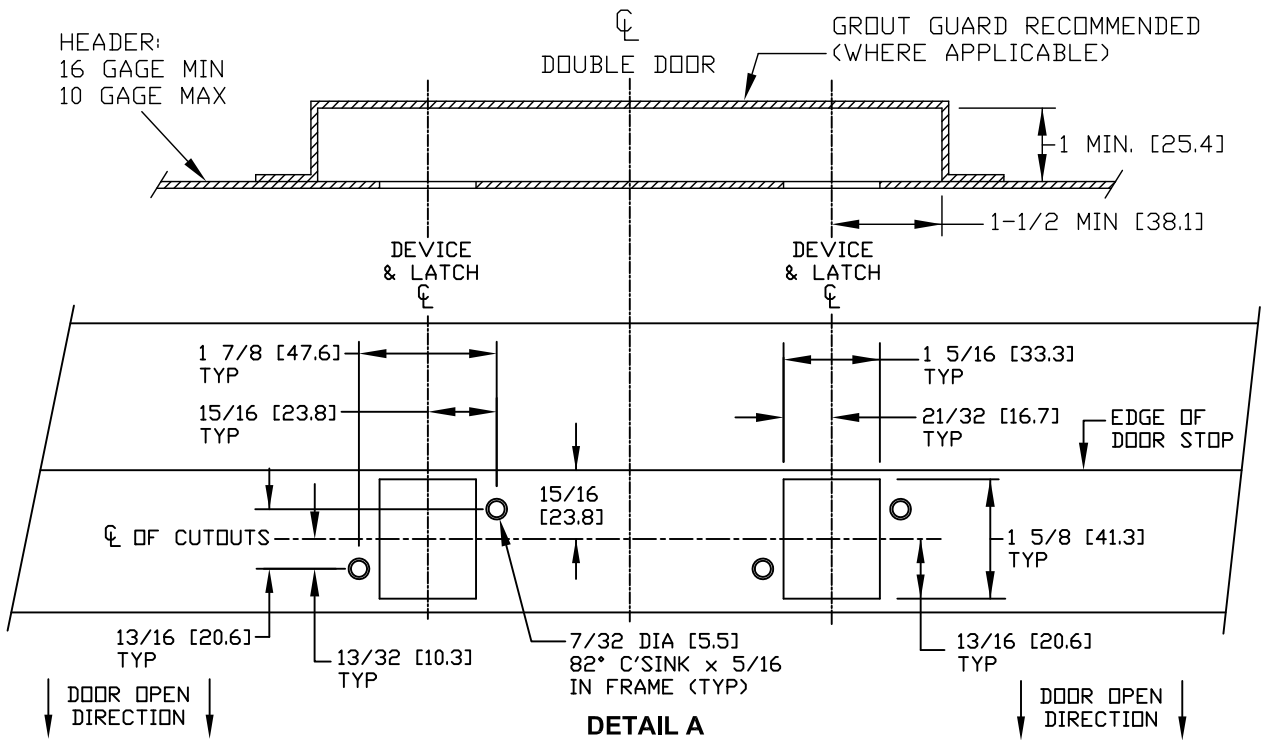
TEMPLATE
HOLLOW METAL DOOR
63 TOP ROD ONLY
CONCEALED VERTICAL ROD
EXIT DEVICE

DETEx[®]

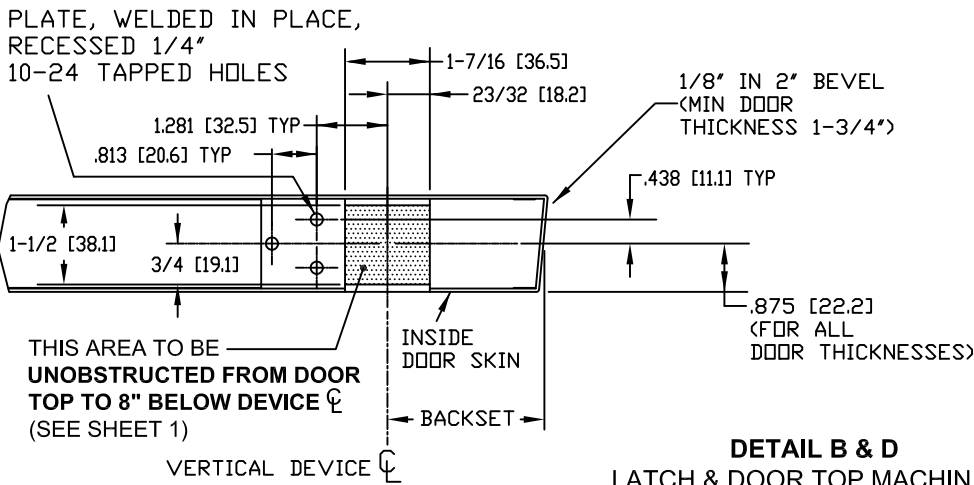
DO NOT SCALE DRAWING

DATE 6-16-11

TEMPLATE NUMBER T2303

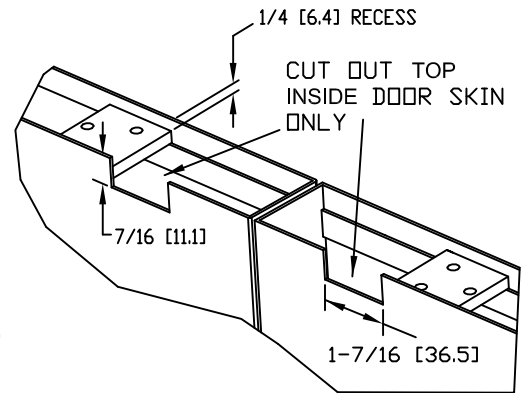


DETAIL A
TOP FRAME STRIKE PREP
LOOKING UP AT HEADER

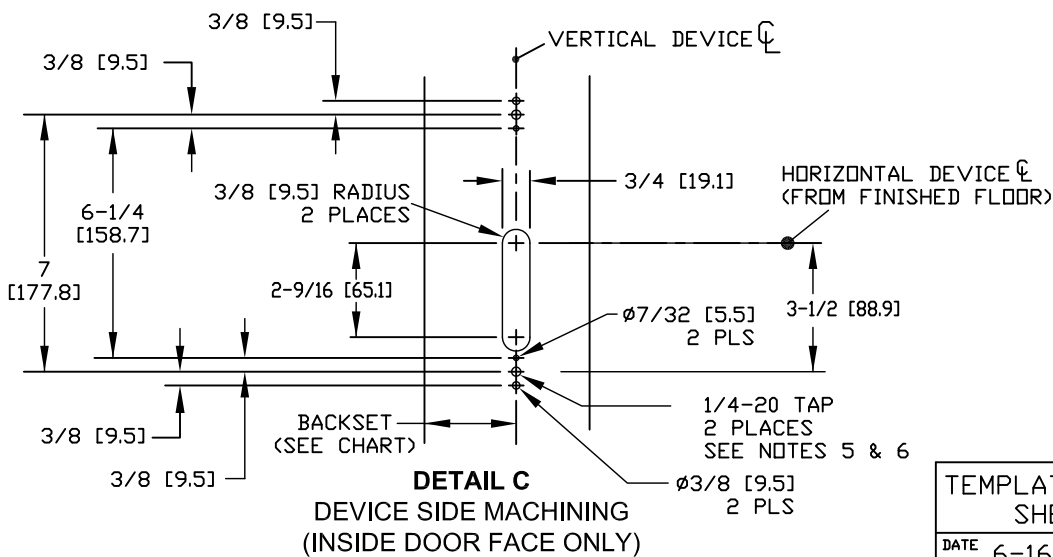


DETAIL B
LATCH MOUNTING
TOP

DETAIL B & D
LATCH & DOOR TOP MACHINING
& INTERNAL MECHANISM CLEARANCE



DETAIL D
DOOR TOP MACHINING



DETAIL C
DEVICE SIDE MACHINING
(INSIDE DOOR FACE ONLY)

TEMPLATE - 63 DEVICE	
SHEET 2 OF 2	
DATE 6-16-11	TEMPLATE NUMBER T2303