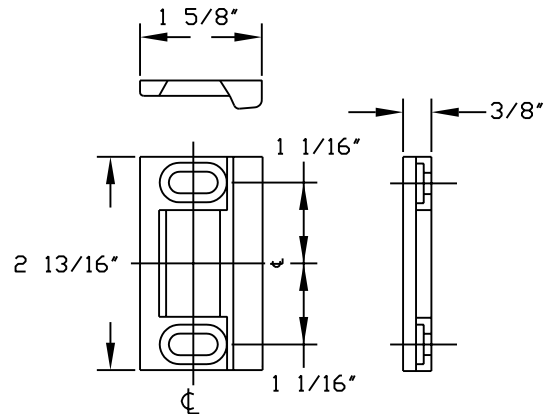
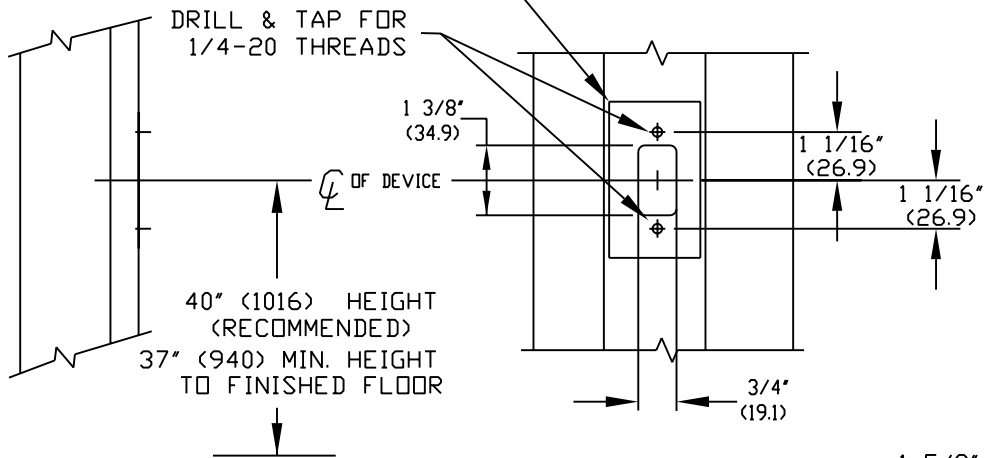


MIN. 12 GA WELDED STEEL REINFORCEMENT



HDG. _____ DR. _____

RESPONSIBILITY
 Door and Frame Manufacturers are responsible for providing adequate construction or reinforcements for proper installation of hardware shown. All architectural builders hardware must be installed on properly reinforced doors and frames regardless of the type, material or method of construction.

TEMPLATE
 98 STRIKE

DETEX CORPORATION

DO NOT SCALE DRAWING

DATE 8/9/02 TEMPLATE NUMBER T1110